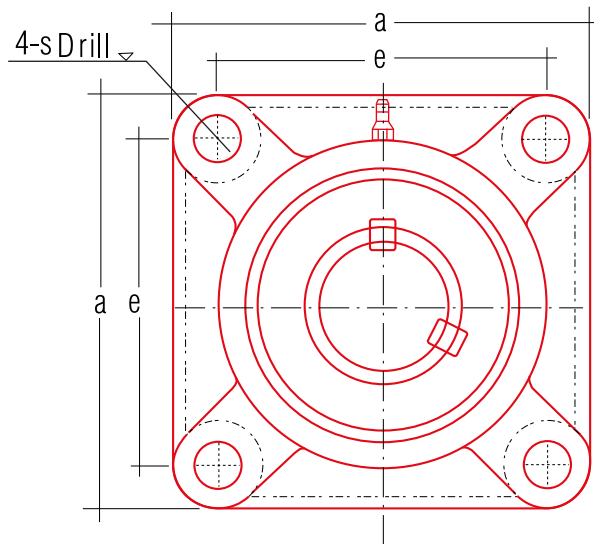
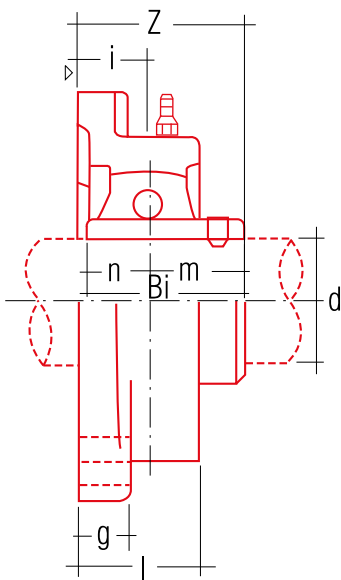




Technical Data Sheet

Stainless steel Pillow blocks

UCF 200



| MODEL N. | mm | a | e | i | g | l | s | z | Bi | n | m | bolt used | kg |
|----------|----|------|-----|-------|-------|------|------|------|------|------|------|-----------|------|
| UCF 201 | 12 | | | | | | | | | | | | |
| UCF 202 | 15 | 76.2 | 54 | 15.08 | 9.525 | 25.4 | 10.3 | 32.7 | 31 | 12.7 | 18.3 | 10 | 0.5 |
| UCF 203 | 17 | | | | | | | | | | | | |
| UCF 204 | 20 | 86 | 64 | 15 | 12 | 25.5 | 12 | 33.3 | 31 | 12.7 | 18.3 | 10 | 0.58 |
| UCF 205 | 25 | 95 | 70 | 16 | 14 | 27 | 12 | 35.8 | 34.1 | 14.3 | 19.8 | 10 | 0.83 |
| UCF 206 | 30 | 108 | 83 | 18 | 14 | 31 | 12 | 40.2 | 38.1 | 15.9 | 22.2 | 10 | 1.1 |
| UCF 207 | 35 | 117 | 92 | 19 | 16 | 34 | 14 | 44.4 | 42.9 | 17.5 | 25.4 | 12 | 1.6 |
| UCF 208 | 40 | 130 | 102 | 21 | 16 | 36 | 16 | 51.2 | 49.2 | 19.0 | 30.2 | 14 | 1.9 |
| UCF 209 | 45 | 137 | 105 | 22 | 18 | 38 | 16 | 52.2 | 49.2 | 19.0 | 30.2 | 14 | 2.4 |
| UCF 210 | 50 | 143 | 111 | 22 | 18 | 40 | 16 | 54.6 | 51.6 | 19.0 | 32.6 | 14 | 2.6 |
| UCF 211 | 55 | 162 | 130 | 25 | 20 | 43 | 19 | 58.4 | 55.6 | 22.2 | 33.4 | 16 | 3.7 |
| UCF 212 | 60 | 175 | 143 | 29 | 20 | 48 | 19 | 68.7 | 65.1 | 25.4 | 39.7 | 16 | 4.3 |