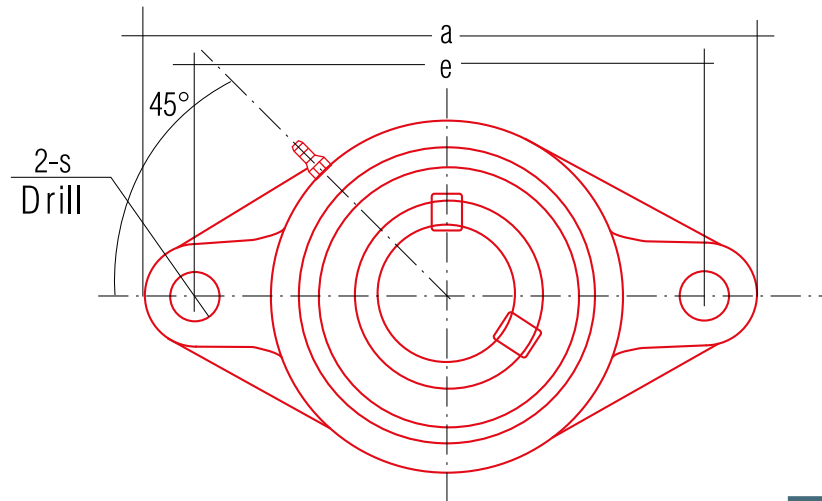
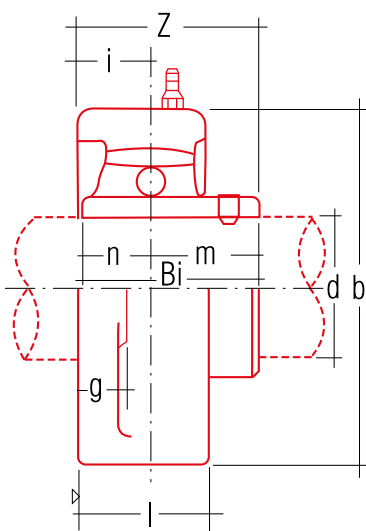


# Technical Data Sheet

## Stainless steel Pillow blocks

### UCFL 200



MODEL N.	mm	a	e	i	g	l	s	b	z	Bi	n	m	bolt used	kg
UCFL 201	12													0.50
UCFL 202	15	113	90	15	12	25.5	12	62	33.3	31	12.7	18.3	10	0.48
UCFL 203	17													0.47
UCFL 204	20	113	90	15	12	25.5	12	62	33.3	31	12.7	18.3	10	0.45
UCFL 205	25	130	99	16	14	27	16	68	35.8	34.1	14.3	19.8	14	0.63
UCFL 206	30	148	117	18	14	31	16	80	40.2	38.1	15.9	22.2	14	0.85
UCFL 207	35	161	130	19	16	34	16	90	44.4	42.9	17.5	25.4	14	1.2
UCFL 208	40	175	144	21	16	36	16	100	51.2	49.2	19.0	30.2	14	1.6
UCFL 209	45	180	148	22	18	38	16	112	52.2	49.2	19.0	30.2	14	1.9
UCFL 210	50	190	157	22	16	40	18	117	54.6	51.6	19.0	32.6	16	2.3
UCFL 211	55	217	184	25	18	43	18	134	58.4	55.6	22.2	33.4	16	3.3
UCFL 212	60	235	202	29	18	48	18	142	68.7	65.1	25.4	39.7	16	4.3