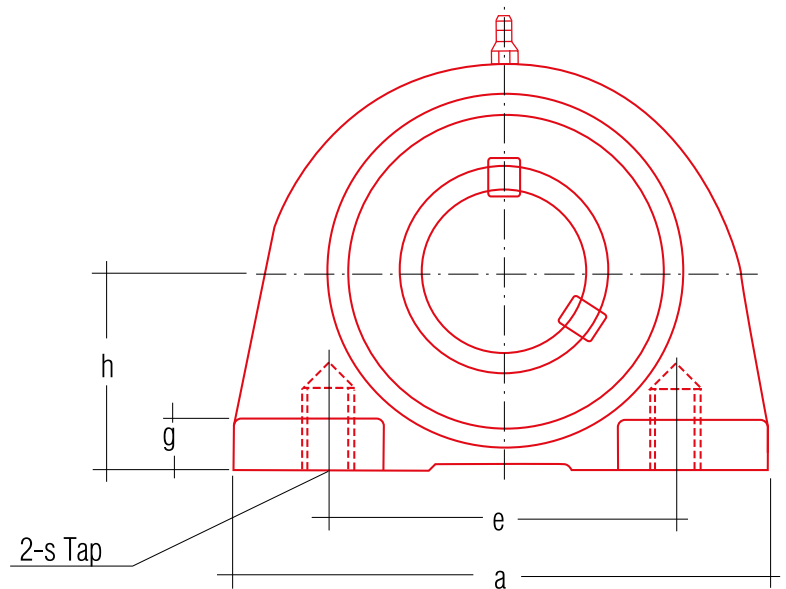
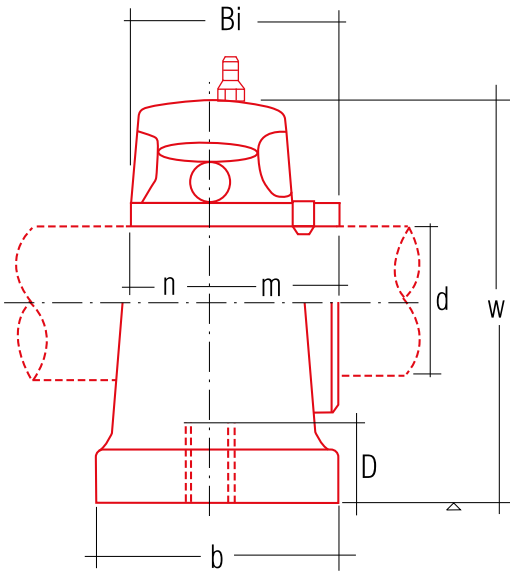




Technical Data Sheet

Stainless steel Pillow blocks

UCPA 200



MODEL N.	mm	h	a	e	b	s(mm)	g	w	D	Bi	n	mm	bolt used	kg
UC PA 201	12													
UC PA 202	15	30.2	76	52	40	10	11	62	13	31.0	12.7	18.3	10	0.6
UC PA 203	17													
UC PA 204	20	30.2	76	52	40	10	11	62	13	13			10	0.6
UC PA 205	25	36.5	84	56	45	10	12	72	13	34.0	14.3	19.7	10	0.8
UC PA 206	30	42.9	94	66	50	14	12	84	18	38.1	15.9	22.2	14	1.2
UC PA 207	35	47.6	110	80	55	14	13	95	20	42.9	17.5	25.4	14	1.7
UC PA 208	40	49.2	116	84	58	14	13	100	20	49.2	19.0	30.2	14	2.0
UC PA 209	45	54.2	120	90	60	14	13	108	25	49.2	19.0	30.2	14	2.2
UC PA 210	50	57.2	130	94	64	16	14	116	25	51.6	19.0	32.6	16	2.8