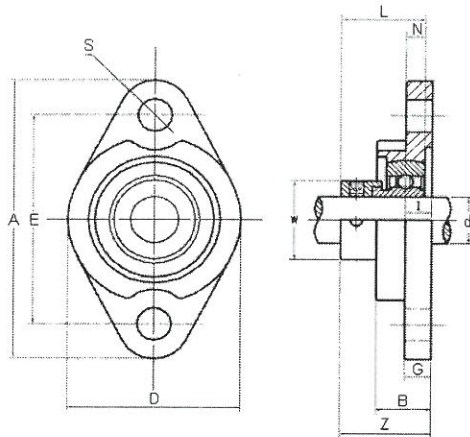


AMPO s.r.l.**UFL 000 Series**
Silver Series 2-Bolt Flange Units

Type	Dimensions (mm)												Bolt Size	Mass
	d	A	E	I	G	B	S	D	Z	L	N	W		
UFL 000	10	60	45	5,5	5,5	11,5	7	36	19,0	17,5	4,0	17,0	M 6	0,10
UFL 001	12	63	48	5,5	5,5	11,5	7	38	19,0	17,5	4,0	19,0	M 6	0,10
UFL 002	15	67	53	6,5	6,5	13,0	7	42	20,5	18,5	4,5	22,0	M 6	0,10
UFL 003	17	71	56	7,0	7,0	14,0	7	46	22,5	20,5	5,0	25,0	M 6	0,20
UFL 004	20	90	71	8,0	8,0	16,0	10	55	26,5	24,5	6,0	30,0	M 8	0,20
UFL 005	25	95	75	8,0	8,0	16,0	10	60	27,5	25,5	6,0	36,0	M 8	0,20
UFL 006	30	112	85	9,0	9,0	18,0	13	70	29,0	26,5	6,5	42,0	M 10	0,30